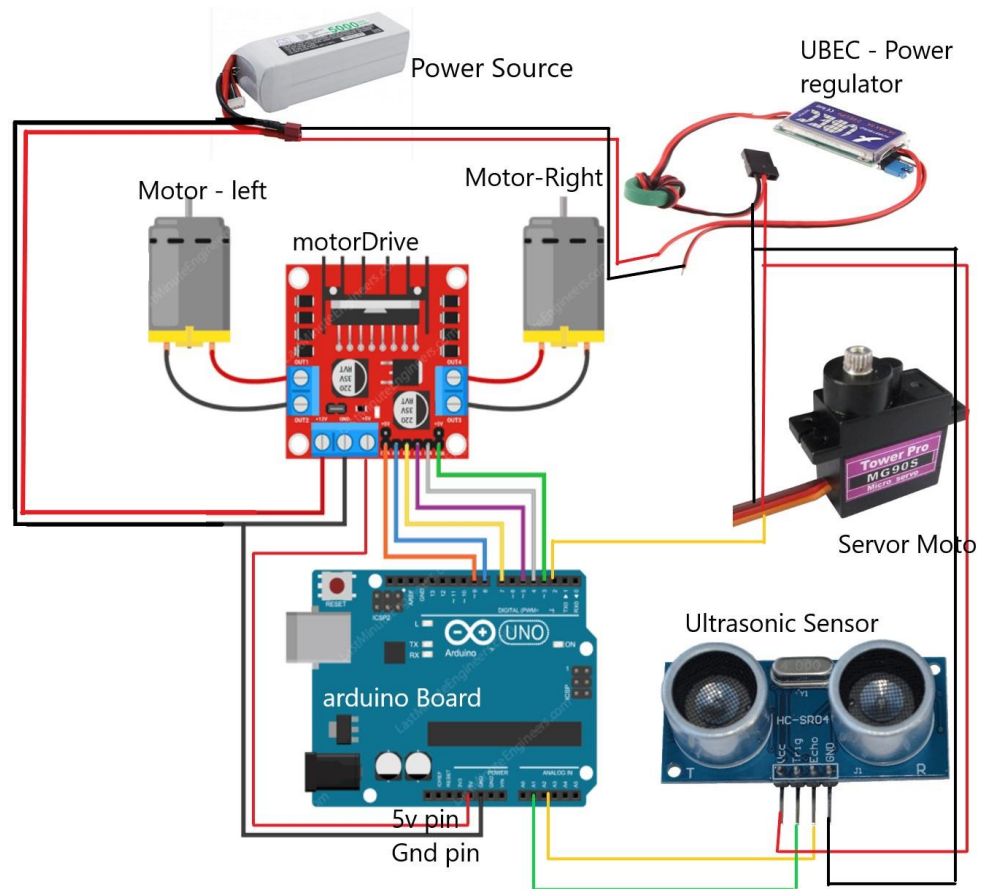


SIMPLE CONNECTION OF ARDUINO BOARD AND ITS COMPONENTS

Assuming you have the following components

1. Arduino board
2. 14.8 V LiPo Battery
3. UBEC power regulator
4. Motor Drive - ONEJIA 1Pc L298N Module
5. Motors for wheels -Brushed

This is how you should connect them



By Kevin Manyu
www.scaiman.co.ke